



181 US Hwy 46  
Mine Hill, NJ 07830  
(908) 654-8068  
(800) 783-0567  
Fax 908-654-8069

## **Visual Paint Assessment Report**

For 189 Main Street Unit:Primary Roxbury Township, NJ 07876  
09/05/2024

On 09/05/24, LEW Environmental Services, LLC (NJDC 00015 E) performed a visual paint condition assessment for the presence of deteriorated paint, chips or dust from painting activities and paint residue on floors at 189 Main Street Unit:Primary, (the "property") in compliance with NJAC 5:28A. Only the dwelling and common area interiors were included. Exteriors were not part of the assessment. The visual assessment followed the protocols found in HUD's Visual Assessment Training course.

No deteriorated paint, chips or dust from painting activities or paint residue on floors were observed in the dwelling unit. The property is eligible for a lead-safe certificate per NJAC 5:28A. Certificate enclosed

Respectfully Submitted,

A handwritten signature in black ink that reads 'Yerani Heredia'.

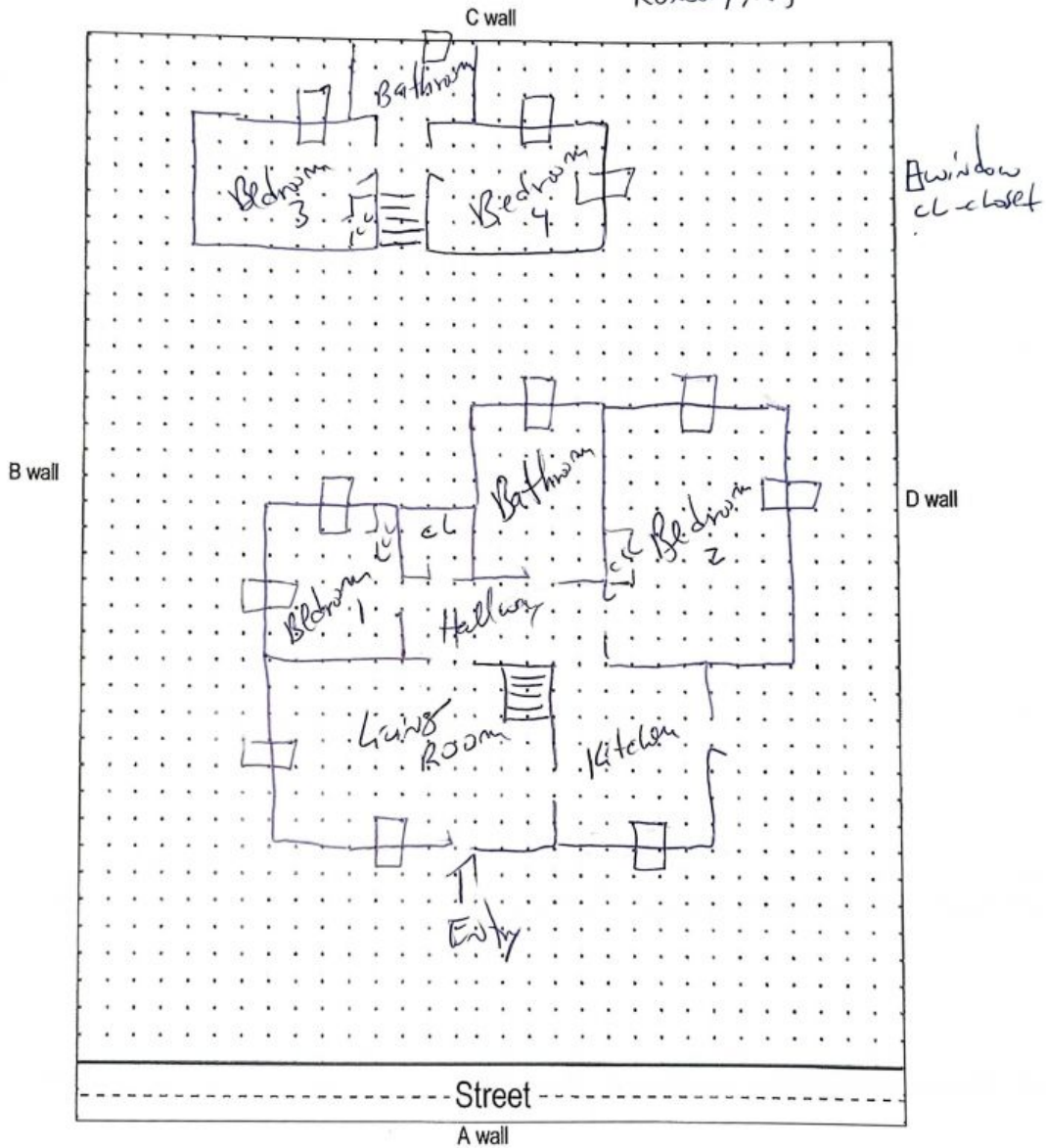
Yerani Heredia De Rosado  
NJDOH Risk Assessor, ID#R001913  
Encl: Floor Plan, Lead-safe Certificate;

# Floor Plan(s)



181 US Hwy 46  
Mine Hill, NJ 07803  
(908) 654-8068  
(800) 783-0567  
Fax (908) 654-8069  
www.lewenvironmental.com

Site: 189 Main St., Ledgerwood, NJ 07852  
Roxbury, NJ



Floor 1

Lew Environmental Services - 189 Main Street Unit: Primary - Visual Inspection  
Prepared By: LEW Environmental Services, LLC  
09/05/2024



## Lead Safe Certificate

It is hereby certified that a lead based paint visual inspection and/or dust wipe sampling has been performed in accordance with the protocols referenced in N.J.A.C. 5:17, and the results of which indicate that no lead-based paint hazards have been found in the dwelling unit listed below. It shall be the owner's responsibility to perform any required on-going evaluation and maintenance to ensure that the dwelling unit remain in a Lead - Safe condition. PURSUANT TO P.L.2003, c.311 (C.52:27D-437.1 et. seq.)

This certificate is **Valid For Two Years**

189 Main Street Unit:Primary Roxbury Township, NJ 07876

6501

8

Site Address

Block

Lot

Applicable Dwelling Unit: **189 Main Street Unit:Primary**

(CERTIFICATE IS VALID FOR A DWELLING UNIT AND SHALL BE AFFIXED TO LEASE)

Insp/RA Name: Yerani Heredia De Rosado

Evaluation Contractor #: 00015-E

Phone: 908-654-8068

*Yerani Heredia*

R001913

Signature

ID#

**Contractor Name:**

Lew Environmental Services, LLC

**Contractor Address:**

181 US Hwy 46

Mine Hill, NJ 07830

**Date Issued:**

09/05/24

(mm/dd/yyyy )